

FARMA®

 FORS MW



www.forsmw.com

FARMA COLLECTION

History about how it all started | FARMA®

Leif Fors, founder of Fors Mekaniska Werkstad (Fors MW), was a true entrepreneur. As so often with entrepreneurs, it was not the goal in itself that was the attraction, but rather the journey there. Towards the end of the 80s, Leif could never have imagined that a machine business would be the start of a journey that would lead to the establishment of one of Europe's largest production plants for forestry and agricultural machinery in Estonia. Leif told us how it all began: "At the end of the 80s I took the ferry over to Estonia. The main reason for the trip was curiosity, and a great deal of general interest. But the misery I encountered just 400 kilometres off the Swedish coast had a profound effect on me.

I just couldn't ignore it and go home. As an entrepreneur, I felt I was forced to do something. I chose to stay, and since then I have never really returned. I saw misery, but also possibilities.



Opportunities for me personally to create a future there, but also an opportunity to get involved, to make a difference, and create a future for others as well." Fors MW was established in 1992 and today is the oldest Swedish company in Estonia.

Leif continues: "The company began by manufacturing everything from circular saws to candlesticks, but it was not exactly booming. My interest in forestry led me towards the idea of manufacturing a lumber trailer." And so it was, the first FARMA trailer was constructed on the factory floor. Initially the quality was nothing to boast about, but the price level was something else and groundbreaking. For the first time ever, smaller forest land owners had the opportunity to buy a lumber trailer, and sales rapidly increased. At that time there was only one FARMA model. Today FARMA is one of Europe's best selling lumber trailers and is available in several different models that can be diversified to an almost unlimited extent. This is not because of a unique characteristic, but because we have been good at keeping the price down for end users, while also offering high product quality.

Leif continues: "I have always liked the forest, and this led quite naturally to an interest in soil and land. It was therefore exciting in the early 90s to be able to start my own forestry and farm in Estonia. Today the estate consists of 1357 hectares in one block, of which 900 hectares are forest. The choice of lumber trailer was obvious, and over the years the Fors MW products have been industriously tested on the estate. It has happened many times that I have come into the factory in a state of irritation, after working hard on the estate during the weekend and involving everyone in the erroneous positioning of a cylinder. This resulted in us learning a lot during the course of the work. We learned to use our products in practice."

Today Fors MW is a successful company with hundreds of employees, and subsidiaries in both Sweden and China. The company has three market-leading brands: FARMA, BIGAB and FARMA-N (previously NIAB). Fors MW has experienced and withstood most things, from the collapse of the Estonian banks in 1997 that almost drove us towards bankruptcy, to that night in February in 2006 when the fire alarm connected to my mobile started ringing at five o'clock in the morning. "I raced to the factory, only to see my life's work go up in flames", Leif told us. The damage after the fire was so extensive that it went down in history as the biggest industrial fire in Estonia.

Looking back, you notice that it is in crisis that you learn the biggest lessons. And in order to build up a functioning business again after the fire, planning was everything. A lot of work was put into the actual rebuilding, but we had to balance this with our determination to still satisfy the demands of the market and requirements around our products. The result was a rapid recovery, we quickly found the right balance between reconstruction and maintaining what it was that had motivated Fors MW from the very beginning, product development and innovation.

During the time Fors MW has existed, it is precisely product development and innovation that have been our great passions. We have always sought to improve, and we will continue to do so. Regrettably, Leif Fors passed away in April of 2015 after several years of suffering from cancer. The company is led today in the second generation by Leif's daughter, Ulrica Fors.

Our history has made us respectful of the future. We know that anything can happen, and we know that you are never better than your latest innovation or customer contact. Follow the continuation of our journey in social media.



Contents:

Why choose FARMA?.....	4
FARMA Classic.....	6
FARMA T6	7
FARMA T7/T8.....	8
FARMA T9F/T10F	9
FARMA G2.....	10
FARMA T10 G2/T12 G2/T14 G2.....	11
FARMA Double frame.....	13
FARMA T17.....	14
Traditional crane series	16
C3.8/C4.2/C4.6S/C4.6D.....	16
C5.1/C5.3.....	17
C6.3/C6.7.....	18
C7.2/C8.5.....	19
X-CEL crane series	20
C5.0/C8.0/C10.2.....	20
Z-Crane Series.....	21
Z6.6/Z8.0.....	21
Crane accessories	22
Lumber trailer accessories.....	26
Tractor processor FARMA-N 5-15 B/C.....	28
Energy cutter FARMA BC18/BC25.....	30
Grapple skidder FARMA SG1000TM.....	31
Log lifter FARMA LL1000.....	31
Flail head FARMA FH100.....	31
Matrix.....	33
Crane dimensional diagram/Technical data.....	34
Trailer dimensional diagram/Technical data	35

For information on optional equipment, turn to the back of the brochure.

NOTE! The catalogue only applies for the specified country. We reserve the right to revise specifications without prior notice.

All images are only intended to be illustrative.

Country specific, regional and local adaptations other than CE approval are not the responsibility of the manufacturer.

Weights and technical data for the products are described on the basis of ideal conditions.

Local legislation must be taken into consideration.

Why choose FARMA?



DESIGNED BY FORESTERS FOR FORESTERS

FARMA is a family-owned brand where the trailer was originally designed by the founder, Leif Fors. Leif's greatest passion in life was to spend his time in his forest. Well protected hoses and cylinders, a trailer that always tracks after the tractor and high ground clearance with a flat undercarriage to deflect stumps and stones in the forest were details that Leif always highly prioritised, together with robust trailers and cranes that would always lift that little extra.

Regrettably Leif passed away in 2015, but his legacy remains and his estate lives on. To guarantee an understanding of the needs of our customers, all our forest engineers own and manage their own forestry, and all our products are tested on the family estate. Because of this we can guarantee our understanding of the needs of our customers and their everyday lives.



EASY TO MAINTAIN

FARMA is designed so that it is easy to maintain when necessary. The lubrication points are easily accessible and grouped together to make maintenance quick and easy. If there is one thing you can rely on it is that the hoses will never break at home on the farm, because FARMA has put a lot of energy into ensuring that the hoses are easy to get at to replace on both the trailer and crane.



BUILT TO BE USED

FARMA is built to be used and will withstand many years of wear and tear. High-strength steel is frequently used on the products. All products are enamelled with two-component paint that provides a gloss that lasts. The turnhouse withstands the use of thousands of FARMA users every day. The turnhouse is filled with oil with upper and lower bearings, which minimises wear on the c-wheel. The result, a turnhouse with less maintenance and a longer life span.



FROM START TO FINISH

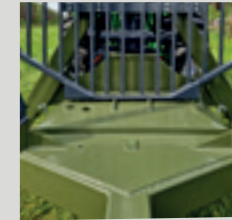
FARMA designs and produces most of the parts needed to build our products from scratch. Having our own full-scale production is perhaps not unique, but nevertheless it is not quite customary in our line of business. At FARMA we are convinced that the fact that we build our products from scratch gives us a deeper understanding of the products we produce, while also increasing our flexibility. Not to mention the quality control we get through the entire manufacturing process. We call it from start to finish.



FARMA – YOUR BUSINESS PARTNER

With FARMA you can rely on a business partner that delivers a complete solution for our customers through an effective aftermarket, with spare parts in stock and service support with the customer in focus. All our customers are equally important for us, from customers in need of a smaller lumber trailer to professional contractors in need of equipment with a high capacity.

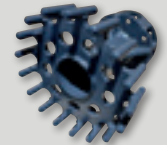
FRAME STEERING



FARMA is well known for its lumber trailers with genuinely good performance in the forest, thanks to the frame steering. The positioning of the frame steering, far back on the chassis, for models 9 and 10 tonnes has been rewarded with the best tracking behind the tractor many times over the years. On our G2 series we use well protected double frame steering cylinders to obtain uniform torque on the drawbar.

DRIVE ON ALL TRAILER MODELS

FARMA offers drive as an accessory on all trailer models. Traditional Robson drive 4WD or Hydraulic drive Black Bruin 2WD, 4WD – the choice is yours.



FARMA ACCESSORIES – MOST VALUE FOR THE MONEY



FARMA's product range also consists of the most affordable grapple series on the market in varying sizes where you can find everything you could need, from brush grapples to grapple buckets. A popular addition is to purchase insert buckets for the grapple to increase the range of applications.

Classic | FARMA®

FARMA Classic are lumber trailers made to give you as a user the best overall economy, and to create a sustainable overall solution – year after year. FARMA Classic is the product

for when you are looking for a simple trailer that does the job and stands up to pressure. 15 000 Classic trailers on the market says it all.



FARMA T6

FARMA T6 is an easily driven trailer for more simple requirements when working in the forest. A flexible trailer for users that have tractors with low oil flows, but who still want to have a trailer that keeps what it promises.

The market has demanded a longer crane on T6, our smallest trailer model. Through a new design and a reinforced crane platform, FARMA T6 can now be equipped with cranes up to C5.0.



T6	
C3.8	✓
C4.2	✓
C4.6	✓
C5.0	✓

CT 5.0-6

The trailers pictured may contain extra accessories such as extension posts.

EXTRA EQUIPMENT



EXTENSION BANK

Extension bank that is threaded on to the central section from the rear and locks in place. Two supports included. The bank makes the trailer usable even with longer timber lengths.

Trailer lights with fold-in lamps can be mounted on the extension bank.

FARMA T7

FARMA T7 is our smallest lumber trailer with frame steering. Frame steering means that the trailer is much more flexible in the forest and also reduces the risk of damage to growing trees. The trailer is equipped in the standard version with frame steering and hydraulic flap-down support legs.

The illustration shows the old version of T7. The trailer has now been equipped with the same reinforced crane platform as T6. FARMA T7 can therefore be equipped with cranes up to C 5.3.



FARMA T8

FARMA T8 is a robust lumber trailer with support legs well protected in front of the railing in uplifted position. The trailer is equipped with hydraulic flap-down support legs and 3 banks in the standard version. A lumber trailer model that suits many of our active forest owners.

The illustration shows the old version of T8. The trailer has now been equipped with the same reinforced crane platform as T6. FARMA T8 can therefore be equipped with cranes up to C 6.3.



The trailers pictured may contain extra accessories such as extension posts.

T7 | T8 | FARMA®

FARMA T9F

FARMA T9F has been one of the market's bestselling lumber trailers for more than a decade. The placement of the frame steering far back on the chassis gives an easily handled trailer that tracks the tractor when driving in the forest. The latest variant of FARMA T9F has been equipped with a fixed crane platform with a low placement, which gives a good view of the forestry work from inside the tractor. FARMA T9F can be ordered with either telescopic or flap-down support legs.

FARMA T10F

FARMA T10F is in many ways similar to its smaller sibling. It is also equipped with the unparalleled frame steering, good visibility through the railing and bolted support legs where you can easily choose between flap down or telescopic. The difference between the models lies primarily in the load volume and wheel size.



T9F	T10F
C5.1 ✓	C6.3 ✓
C5.3 ✓	C6.7 ✓
C6.3 ✓	
C6.7 ✓	

CT 6.3-9F

DRIVE



DRIVE IS AVAILABLE AS AN ACCESSORY ON ALL TRAILER MODELS.

- > ROBSON DRIVE 4WD
- > HUB DRIVE BLACK BRUIN 2WD, 4WD

READ MORE ABOUT DRIVE ON PAGE 32.

G2 | FARMA®

FARMA G2 is developed by foresters for foresters. As a user you are met by an innovative design and technical development that goes one step further. FARMA G2 are robust trailers

in fowarder style. The oblique surfaces in the eight-edged frame contribute to a trailer that deflects stubs when driving in the forest.



T12 G2	
C6.3	✓
C6.7	✓
C7.2	✓
C8.5	✓

T10 / T12 / T14 G2

FARMA is proud to present our design protected lumber trailer series under the concept FARMA G2. Developed for people with stringent demands for productivity, effectiveness and design. Trailers with high ground clearance, ready to meet even the toughest challenges.

The trailer series is equipped with several moveable banks for the opportunity to adjust the banks so that they fit, depending on the lengths of timber. Double trailer steering cylinders give a uniform torque on the drawbar.

The concealed hose routing and the integrated rear lights in the chassis provide excellent protection for exposed parts when working in the forest. The level of standard equipment is high. The trailer models can be specially equipped on the basis of multiple options at the factory.

All models can be equipped with drive. Robson drive 4WD, or alternatively hub drive Black Bruin 2WD/4WD.



T10 G2	
C6.3	✓
C6.7	✓
C7.2	✓



CT 7.2-10 G2

The trailers pictured may contain extra accessories such as extension posts.

WITH DRIVE AS AN ACCESSORY THE TRAILER IS EQUIPPED WITH THE FOLLOWING, DEPENDING ON THE MODEL:

	T10 G2	T12 G2	T14 G2
Hydraulic folding railing		●	●
3 banks	● (Black Bruin)	● (Black Bruin)	● (Black Bruin)
4 banks	● (Robson)	● (Robson)	● (Robson)
Drive patterned tyres	●	●	●
● = Included			



T14 G2	
C6.7	✓
C7.2	✓
C8.0	✓
C8.5	✓

T14G2 | FARMA®

Double frame | FARMA®

FARMA double frame trailers are for users who need to transport large volumes and who use their trailer both on and off-road.

Our torsionally rigid double frames are well dimensioned and adapted for hard work every day.



FARMA T17

– A trailer for forest owners who demand a high degree of productivity

Meet FARMA T17. A trailer developed for our European market, but also popular with Scandinavian users. T17 is a double frame trailer for forest owners who need to transport large volumes and want a high degree of productivity. The high ground clearance of 630 mm and the low ground pressure ensure excellent accessibility.

T17 has an ample load length of 5400 mm, which together with a load area of 3.3 m² makes FARMA T17 a really effective partner when working in the forest. Despite the large format FARMA T17 is surprisingly flexible and compliant, very much thanks to its 40 degree frame steering with attachment far back in the trailer, in a typical Farma way.

In terms of specifications and equipment FARMA T17 is a flexible trailer, where the customer can choose between hub or Robson drive, alternatively without drive for use as road transport. The trailer is equipped with flap-down support legs for greater stability. T17 is adapted for our longest and most powerful cranes. The trailer can be equipped with swivel supports and forwarder banks. Extra banks can be installed if necessary.

T17 is available with wheel dimensions from 500/60-22.5 up to 710/40-22.5.

INTEGRATED LED LIGHTING



POWERFUL SUPPORT LEGS



ROBSON DRIVE 4WD / HUB DRIVE 2WD, 4WD



T17 | FARMA®

T17	
C6.7	✓
C7.2	✓
C8.5	✓
X-CEL	
C8.0	✓
C10.2	✓



The trailers pictured may contain extra accessories such as extension posts.

CT 10.2-17

Traditional crane series | FARMA®

C3.8

C4.2

C4.6S

C4.6D

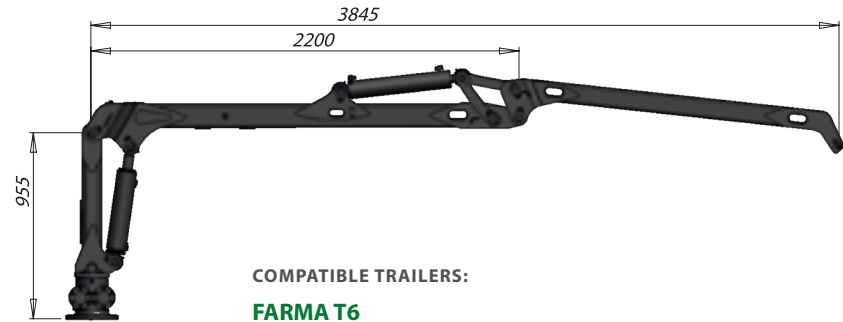


FARMA 4.2D

FARMA 4.2D

	C3.8 G2	C4.2 G2	C4.6 S G2	C4.6 D G2
Reach (m)	3.8	4.2	4.6	4.6
Lifting torque gross (kNm)	24	24	31	31
Grapple size	0.12/0.16	0.12/0.16	0.12/0.16/0.20	0.12/0.16/0.20
Rotator	3	3	3	3
Slewing torque (kNm)	5	5	5	10
Slewing angle (degrees)	370	370	360	360
Working pressure (bar)	190	190	190	190
Recommended flow (l/min)	10-35	10-35	20-50	20-50
Telescopic stroke length	–	0.6	–	–
Lifting force at 4 m excluding grapple and rotator	–	530	630	630
Lifting force at full length (excluding grapple and rotator) (kg)	530	480	610	610

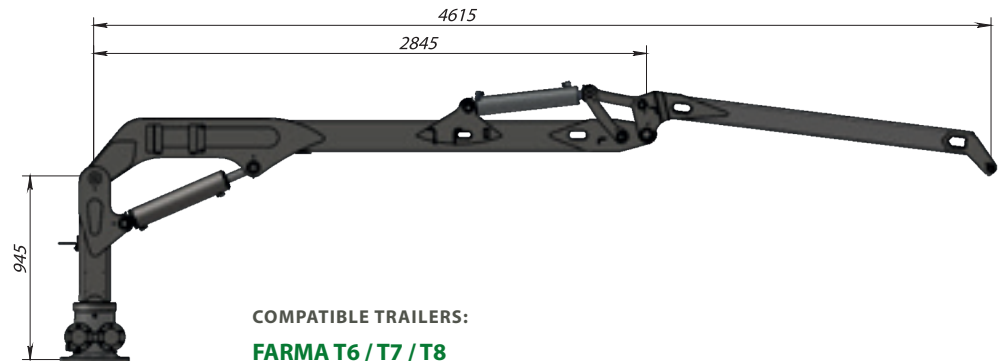
C3.8 G2



C4.2 G2



C4.6S / C4.6D G2



C5.1

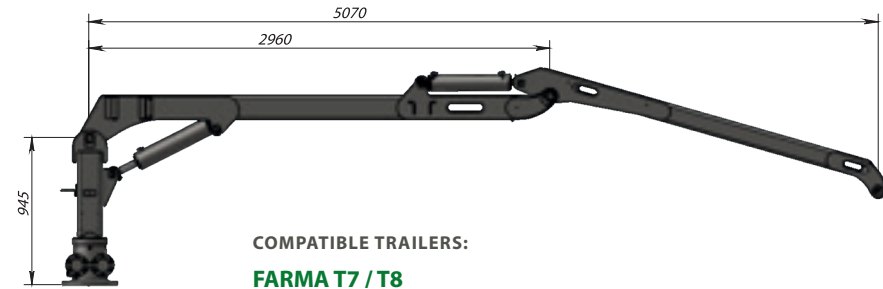
C5.3



FARMA 5.3 G2

	C5.1	C5.3 G2
Reach (m)	5.1	5.3
Lifting torque gross (kNm)	31	39
Grapple size	0.12/0.16/0.20	0.12/0.16/0.20
Rotator	3	3
Slewing torque (kNm)	8.8	10
Slewing angle (degrees)	360	360
Working pressure (bar)	190	190
Recommended flow (l/min)	20-50	20-50
Telescopic stroke length	–	–
Lifting force at 4 m excluding grapple and rotator	830	810
Lifting force at full length (excluding grapple and rotator) (kg)	490	615

C5.1



C5.3 G2



C6.3

C6.7



	C 6.3 G2	C 6.7 G3
Reach (m)	6.3	6.7
Lifting torque gross (kNm)	39	42
Grapple size	0.12/0.16/0.20	0.16/0.20
Rotator	3	3
Slewing torque (kNm)	10	10
Slewing angle (degrees)	360	360
Working pressure (bar)	190	190
Recommended flow (l/min)	20-50	20-50
Telescopic stroke length	1.1	1.45
Lifting force at 4 m excluding grapple and rotator	790	760
Lifting force at full length (excluding grapple and rotator) (kg)	500	490

C6.3 G2



C6.7 G3



C7.2

C8.5



FARMA 8.5D

	C7.2 G2	C8.5 G2
Reach (m)	7.2	8.5
Lifting torque gross (kNm)	62	62
Grapple size	0.20/0.24	0.20/0.24
Rotator	4	4
Slewing torque (kNm)	16	16
Slewing angle (degrees)	380	380
Working pressure (bar)	190	190
Recommended flow (l/min)	40-70	40-70
Telescopic stroke length	1.45	2.9
Lifting force at 4 m excluding grapple and rotator	1200	1100
Lifting force at full length (excluding grapple and rotator) (kg)	700	520

C7.2 G2



C8.5 G2



X-CEL crane series | FARMA®

C5.0

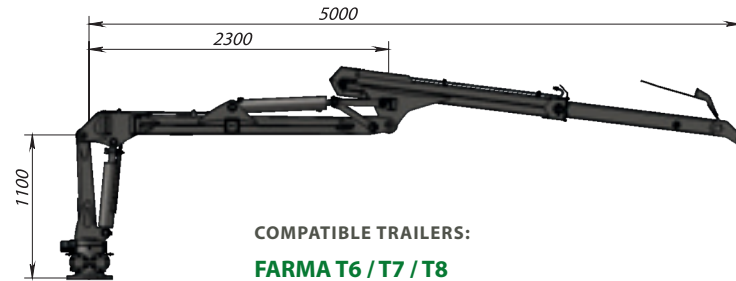
C8.0

C10.2



X-CEL	C5.0	C8.0	C10.2
Reach (m)	5	8	10.2
Lifting torque gross (kNm)	34	84	84
Grapple size	0.12/0.16	0.24/0.28	0.24/0.28
Rotator	3	4/5.5/6	4/5.5/6
Slewing torque (kNm)	10	24	24
Slewing angle (degrees)	360	366	366
Working pressure (bar)	190	210	210
Recommended flow (l/min)	20-50	50-120	50-120
Telescopic stroke length	1.1	1.97	3.93
Lifting force at 4 m excluding grapple and rotator	690	1415	1300
Lifting force at full length (excluding grapple and rotator) (kg)	560	790	500

C5.0 X-CEL



COMPATIBLE TRAILERS:
FARMA T6 / T7 / T8

C8.0 X-CEL



COMPATIBLE TRAILERS:
FARMA T14 / T17

C10.2 X-CEL



COMPATIBLE TRAILERS:
FARMA T17

Z-Crane series | **BIGAB**®

Z 6.6

Z 8.0

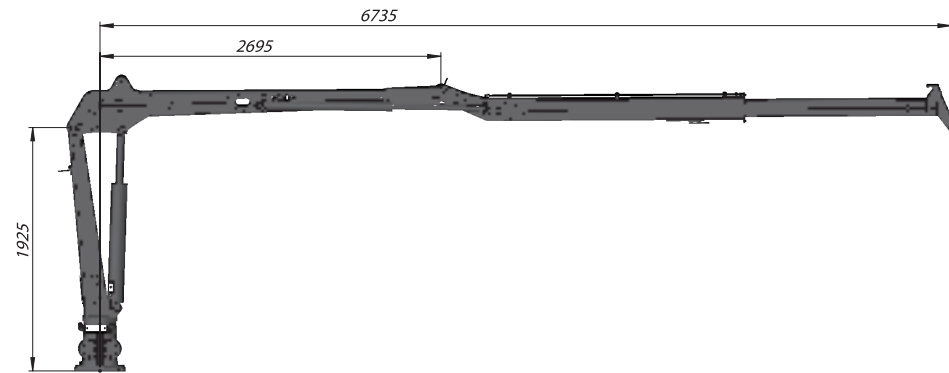
Under the BIGAB brand we offer Z-crane in the sizes 6.6 and 8.0 m. A quickly unfolding and compact crane with really good performance. The crane is designed to be parked in front of the tower in the transport position to increase visibility from the cab during tipping and exchange.



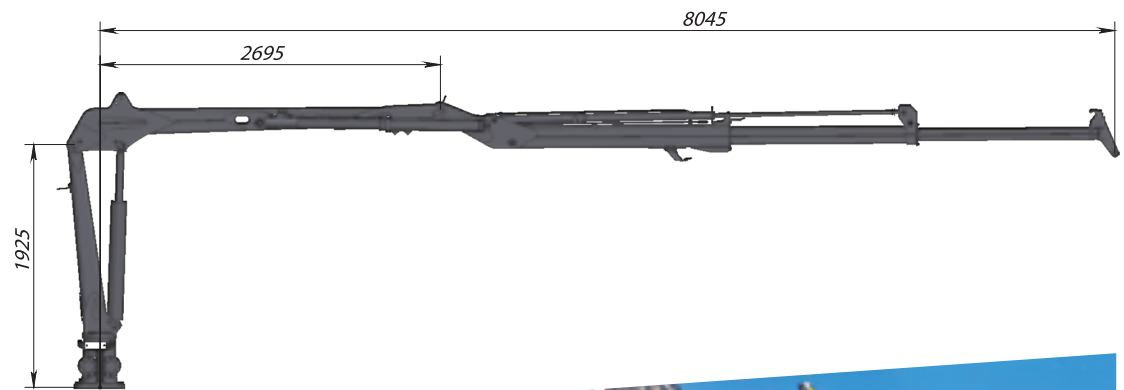
	Z 6.6	Z 8.0
Reach (m)	6.6	8.0
Slewing angle (°)	380	380
Telescopic stroke length (m)	1.45	2.65
Weight including grapple bucket 160 l/Crane weight (kg)	1 012/820	1 062/870
Weight including grapple bucket 200 l/Crane weight (kg)	1 022/820	1 072/870
Weight including grapple 0.20*/Crane weight (kg)	952/820	1 000/870
Lifting capacity at max reach (excluding grapple/rotator) (kg)	750	590

*Weight including grapple and rotator.

Z 6.6



Z 8.0





MULTI-LEVER CONTROLLERS

The valve assembly for 5, 6 and 7 levers are a fully cast block with a low weight, while the 8-lever assembly consists of sections and is heavier. 5 functions can be used if the crane does not have extension. 6 functions are needed if there is one extension. Add support legs, and 7 functions are needed. 8 functions are needed if the crane is equipped with support legs and extension. The illustration shows the valve assembly, 7 levers.



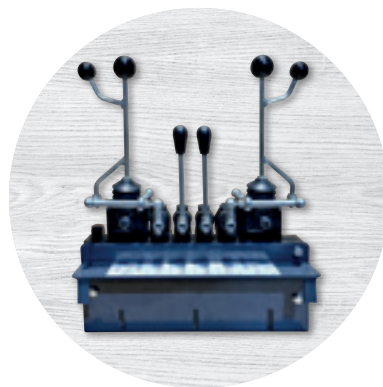
2+3 LEVER/2+4 LEVER

The valve assemblies appear similar at first glance, but differ significantly in weight and the number of levers. 2+3 levers are fully cast and 10 kilos lighter than the 2+4 levers, which are assembled with different components. On the 2+3 levers the support legs and grapple are controlled by the three centre levers. On the 2+4 levers model there is also an extension and therefore there are four levers in the middle. Illustrated is the 2+4 lever model.



ELECTRICAL ON/OFF CONTROLLER

Our most popular controller, primarily because of its low weight and price, is our electrical on/off assembly. The controller basically consists of two parts. The part of the controller that controls the electrical functions is mounted in a protective box on the crane. The other part is a 4-function controller with buttons, which lifts into the cab. The functions controlled by the electrical on/off controller are the support legs, grapple and where appropriate extension.



2+2 LEVER XYZ (60L/80L)

8-function valve with X-Y-Z controlling of the coordinate levers. The Z-function on the lever means that the valve is also equipped with a torque function. The X-Y-Z valve simplifies operating the crane, because all the functions can be controlled with 2 coordinate levers. The lever in the middle controls the support legs. The valves are offered in 2 sizes, 60l/min and 80l/min



VALVE BLOCK



FLOW SHARING VALVE

The flow sharing valve means that the oil is guided where it is needed, instead of going the “easiest way” as on less advanced valves. Valves controlled with mini joysticks provide proportional controlling for all functions. It has far more possible adjustments to suit the operator. The valve also has a load-sensing function.



ELECTRICAL PROPORTIONAL CONTROL WITH RADIO CONTROL

Tired of hydraulic hoses that need to be transferred to the tractor? Electrical proportional control with radio could be what you need. Electrical cables between the trailer and tractor, plus one hydraulic hose for pressure and one for return from the tractor. The controller is available with control via so-called paddles or joysticks, and it is programmable to suit the operator. Pictured is radio control with joysticks.

Crane accessories | FARMA®



HYDRAULIC SERVO

Hydraulic servo (so-called low pressure servo) which is controlled with the joystick as with electrical proportional control. The difference between the systems, where in both cases the valves are mounted on the crane, is that electrically controlled proportional systems are handled via electrical cables, while control on hydraulic servo systems is handled through a low pressure system via hoses. The hydraulic servo solution requires more assembly work in the cab.



ELECTRICAL PROPORTIONAL CONTROL WITH JOYSTICK

Fewer hydraulic hoses to lift? Electrical proportional control could be what you need. Contact between the trailer and tractor takes place via an electrical cable and one hydraulic hose for pressure and one for return from the tractor. The crane is controlled with two joysticks mounted inside the cab. As the valves are proportionally controlled, control is performed with sensitivity in the joysticks as opposed to an electrically on-off controlled valve. The controlling is also programmable.



ELECTRICAL PROPORTIONAL CONTROL WITH TOUCH SCREEN

In addition to the advantages of electrical proportional control, the system here is supplemented with a CANBUS system with touch screen and joysticks. With the help of the screen you can adjust all the speeds of the crane so that they are optimised for you. The system can easily switch between different operators so that all users can have their own favourite settings on the crane.

FARMA GRAPPLE RANGE

Crane accessories | FARMA®



GRAPPLE G2

The affordable FARMA grapple series Generation 2 has become very popular. The claw geometry makes it easier to fill the grapple, and to “dig” better in the timber. The grapple range is available in the sizes 0.12, 0.16, 0.20, 0.24 and 0.28. See the matrix on page 29 for information on which grapple is standard on respective trailer models, and which alternatives are available.



BRUSH GRAPPLE G2

FARMA has under the G2 series developed brush grapples to simplify handling brush when working in the forest. This is because the slash (limbs and tops) do not fasten as easily in the grapple. The brush grapple is available in three models, 0.12, 0.16 and 0.20.



GRAPPLE BUCKET G2

In the Generation 2 series you will find that our grapple buckets have been developed in two sizes, 160 litres and 200 litres, depending on the different applications and working method. The existing grapple on the crane is replaced with the grapple bucket. Clearing ditches and loading/unloading of different materials such as soil, gravel etc. are some of the applications.



INSERT BUCKET G2

Insert buckets are an easy and cost-efficient way to supplement the grapple for loading gravel and clearing ditches, etc. The insert buckets are easy to apply on the crane's existing FARMA G2 grapple. Insert buckets are available for the G2 grapple models 0.12, 0.16 and 0.20.



GRAPPLE DAMPER

The FARMA grapple damper simplifies working with the grapple. It stabilizes the swinging of the grapple. The grapple damper is mounted between the crane and rotator. The grapple damper has increased in popularity as many believe it assists working with the grapple loader. Can be ordered as an accessory. Standard on larger cranes.



OTHER CRANE ACCESSORIES

Crane accessories | FARMA®



CRANE LIGHTING

FARMA crane lighting is available as an accessory for those customers who require this. The crane lighting consists of two LED spotlights mounted on each side of the pillar. The lighting can be retrofitted, but it is economically beneficial to order these directly when purchasing the crane.



WINCH

FARMA now offers two completely new models of radio controlled winches in its product range. Radio control makes the work easier on the body, but above all it makes it safer. The winch is available in two models. A smaller variant for the 3.8 m/4.2 m crane with a 5 mm wire and a length of 30 m, and a model from the 4.6 m crane and upwards with a 6 mm wire and a length of 35 m as standard.



DAMPER SLEWING/LIFTING

Do you want to drive smoother and with that more comfortable? Do you want to protect the machine's build and reduce maintenance? A damper designed for slewing, lifting and lowering could be what you need. The damper has a design where the oil, via the accumulator, dampens rapid slewing and boom movements. The degree of damping is easily adjustable.



3-POINT

If the crane is to be mounted in the three-point on the tractor, a three point attachment is needed in which to screw the crane. The attachment is available in different models, depending on the size of the crane. Important! If you need floating position functions on the crane when mounted on the tractor, these are not included in the crane's standard equipment and must be ordered as an accessory.



FLOATING POSITION

When a crane is used mounted on the tractor, the floating position functions must be on the crane if the grapple is put down on a following trailer. This is not included as standard, but must be ordered as an option. All valves can be supplemented with floating position functions.

OTHER TRAILER ACCESSORIES



INSERT BODY

As extra equipment for your FARMA trailer we have designed an insert body that is perfect for transporting bushes, branches and other lightweight material. The side panels on the insert body are easy to fit on the posts and bolt to the bottom plate. The insert body is made of 3 mm thick steel.



OPERATOR STAND-ON PLATFORM

There is an operator stand-on platform available as an accessory for your FARMA trailer that is easily mounted on the drawbar. The accessory has been designed for those who lack a turning operator position and find it difficult to work from inside the tractor. With the operator stand-on platform the connection to the tractor is very simple. No more heavy lifting of the valve block, connect the hoses and operate.



PTO PUMP

FARMA's trailer range can be factory ordered with its own hydraulic system mounted on the trailer. The set includes a pump for mounting on the power take-off, tank, filter and hoses. The PTO pump is supplied fully fitted. The PTO pump is used when the tractor's hydraulic capacity does not meet the trailer and crane's needs.



TRAILER LIGHTING

The illustration shows a smart solution to an old problem, protecting lamps from damage in the forest. You quite simply retract the lights when working in the forest and bring them out on the road. This model may require an extension bank for installation. Retracted on the right, out on the left. Light bars are also offered as an alternative. A bar you can easily lift off and on when necessary. For information on alternatives for respective trailers, see matrix and www.forsmw.com.



BRANSCH AND TOP POSTS

We offer slash posts as accessories. The posts are sold individually and broaden the load width of the trailer to provide more space for limbs and tops (slash), because the bulk density of these enables significantly larger volumes on each load than when handling timber and pulpwood.



EXTENSION POST

They result in an increase of the load volume when handling assortments with lower bulk density, such as wood. The posts in the illustration are from the G2 series for 4WD. The extension posts are hi-vis.



EXTENSION BANK

There are extension banks available as an accessory for FARMA lumber trailers from 6 ton to 9 ton models. The banks facilitate when hauling extra long timber lengths or random lengths of pulpwood. State the trailer size when ordering. See it mounted on CT 3.8–6 on page 7.



INTERMEDIATE BANK

Extra intermediate banks are offered as an accessory for FARMA lumber trailers. State the trailer size when ordering.

Trailer accessories | FARMA®

OTHER TRAILER ACCESSORIES



POST WIDENERS

Do you need to increase the load volume when running lighter material? Post wideners could be an alternative for your FARMA trailer. The posts are included as standard in T14 G2 and can be ordered as an accessory for G2 trailers in sizes T10 and T12.



CHAIN SAW HOLDER

FARMA offers an affordable chain saw holder. The chain saw holder keeps the saw protected and easily accessible. The chain saw holder can be mounted on all standard trailers with crane.

Trailer accessories | FARMA®

FARMA BRAKE ALTERNATIVES



DRUM BRAKES

All FARMA trailers can be fitted with drum brakes if required. Drum brakes can be factory ordered for all trailers and are either mounted on two or four wheels. Drum brakes are a legal requirement on some markets. We offer hydraulic brakes, air brakes and hydro-pneumatic systems (combination system hydraulic/air).



The list shows a selection of the different brake alternatives that FARMA offers

Note! Not all brake alternatives suit all trailer combinations. Ask your dealer for more information.

Hydraulic brake cylinder 1 axle

Hydraulic brake cylinder 2 axles

Air brake 1 axle

Air brake 2 axles

Combination brake hydraulic and air 1 axle

Combination brake hydraulic and air 2 axles

Overrun brake 1 axle

Hydraulic 2-circuit brake

Parking brake

Awareness of local legislation concerning brake requirements is not the responsibility of the manufacturer.

FARMA N5-15 B/C Tractor processor

Tractor processor FARMA N5-15 B/C is a complete solution for forest farmers. You increase your capacity and forest production thanks to reduced strip road losses and the right choice of trees. You also remove the most dangerous and heavy stages in the work at a very reasonable investment cost.

Tractor processor FARMA N5-15 B/C is a complete solution for forest farmers. You increase your capacity and forest production thanks to reduced strip road losses and the right choice of trees. You also remove the most dangerous and heavy stages in the work at a very reasonable investment cost.

Trees are felled manually and pulled with the strong winch in to the processor. They are handled, limbed and cut to length, and then sorted into different piles with the help of the processor.

FARMA N5-15 B/C is easy to use, reliable and service-friendly. It can handle everything from the first thinning to the final felling of timber dimensions up to 50 cm.

FARMA N5-15 B/C can easily be coupled to basically any farm tractor. The processor has its own hydraulic system driven by a powerful pump, with a gearbox that connects directly to the power take-off on the tractor. You avoid power transmission shaft and the machine can therefore be mounted near the tractor, with a good allocation of the weight as a result. FARMA N5-15 B/C has a high capacity and several technical refinements that make working more rational.

FARMA N5-15 B/C is equipped with a powerful hydraulic winch. The withdrawal of the winch is remotely controlled via radio control, or from the control panel. The wire has a length of 40 metres, which permits good strip road gaps. The limbing head is used as an extra support leg when winching. The traction is 2.5 tonnes.

TECHNICAL DATA

Width	2.45 m
Height	2.30 m
Length	2 m
Weight	1050 kg
Chain bar	18"
Saw effect	18/25 kW/hp
Chain pitch	0.404"
Length of winch line	40 m
Diameter of winch line	8 mm
Max traction hydraulic winch	2.5 tonnes
Max timber diameter	500 mm
Stroke length of step feeder	1 520 mm
Mean speed of step feeder	1.5 m/sec
Nominal hydraulic oil flow	60 l/min
Nominal power take-off speed	400 rpm
Power requirement	30/40 kW/hp
Electric power supply	12V - 16A
Volume of hydraulic oil tank	65 L
Oil for hydraulic system	Hydraulic oil 32



COUPLE

Quick release coupling on the three-point lift makes it easy to "hang on" the processor. The hydraulic pump connects conveniently, directly on the tractor's power take-off. You avoid power transmission shaft.



WINCH

The withdrawal is easily controlled via remote control or from the button on the control panel.



LIMB

The limbing head grips the tree that is lifted, pulled in and fixed between the grippers. The tree is limbed when the limbing head is then shot back along the trunk. A method that is very easy on the timber.

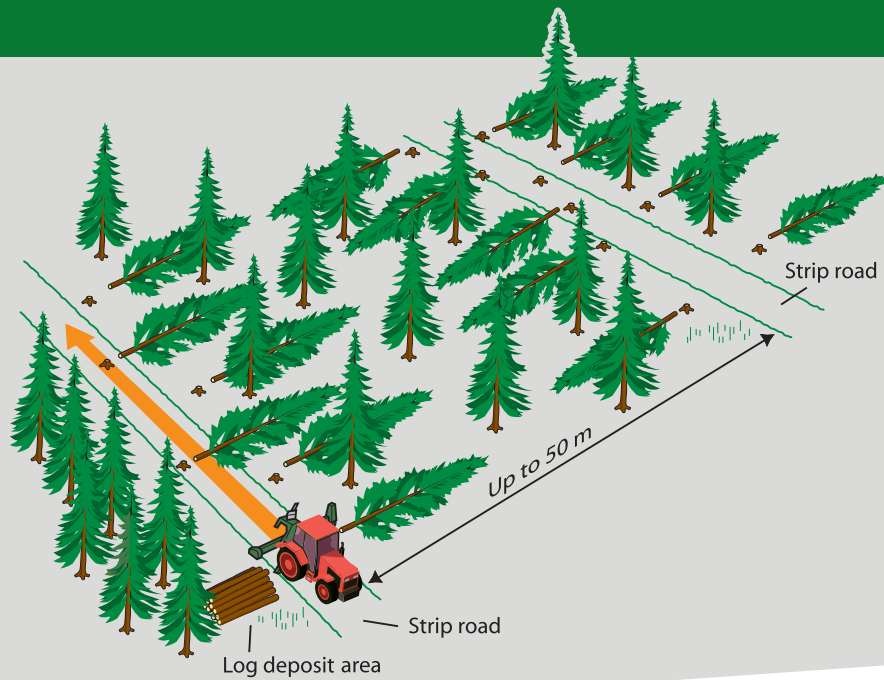


MEASURE

As an extra accessory the processor can be supplied with a length meter. The lengths are shown digitally on the display on the control panel.

THINNING

FARMA N5-15 B/C ensures little strip road damage because the distance between the strip roads can be up to 50 metres. The principle is to back into the strip road as shown in the illustration. The tree is felled with the root end towards the processor over the strip road. You back up to the trunk and lift the tree straight up. Trees further away are winched in, ideally several at a time. When you have reached the end of the strip road, you work the other side on the way back.



FARMA-N

Tractor processor N5-15 B/C



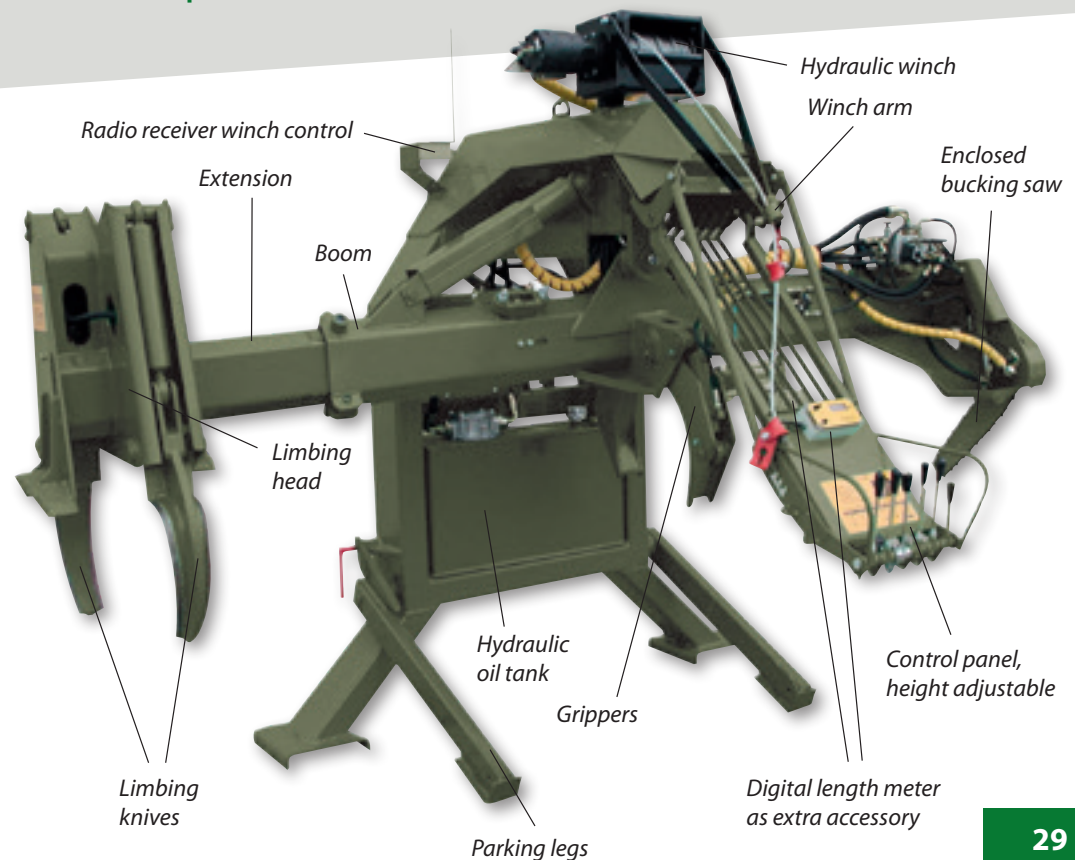
CUT

With a robust enclosed saw, 18 inch bar and 25 horsepower, thick trunks can be cut without splitting damage. The saw is directed away from the operator as an extra precaution for "saw chain shot". With a slewing angle of 75 degrees and a good reach, you can sort and lay the timber – precisely where you want to have it.



MOVE BRUSH

Limbs and brush are easily moved away by using the limbing knives as grapple claws.



FARMA BC18

ENERGY CUTTER

FARMA BC18 makes your work in the forest more productive and the fixed blade is easy to maintain. BC18 is adapted for our grapple loader and requires no additional controls or hoses. You connect it to the hoses intended for the grapple. Tilting occurs automatically when you cut (the pressure for tilting is adjustable) and tilts up when you reopen the cutter to cut a new bush or stem.

For loading we recommend our brush grapple, or the grapple loader's standard grapple. The placement of the centre of gravity makes it easy to position the energy cutter directly by the root. The cutter is intended to handle smaller trees and bushes with a maximum diameter of 18 cm at the felling point. Bear in mind that there are many things to take into consideration when felling a tree of 18 cm, such as the species, moisture and ambient temperature, but also whether the tree is frozen.

FARMA BC18 is recommended for FARMA cranes from size C 4.6 upwards.



* FARMA has changed the colour to olive green. The illustrations show the old colour.

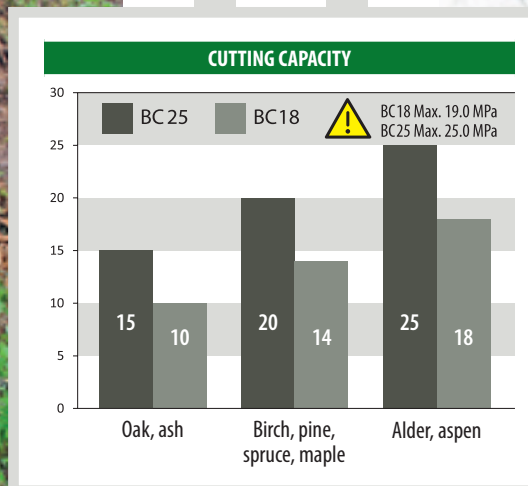
FARMA BC25

ENERGY CUTTER

FARMA BC25 is the sequel to our popular BC18. A combined grapple and felling head in one. BC25 performs clearing work simply and is easy to handle. The location of the centre of gravity makes it easy to position the grapple directly by the root. BC25 cuts up to 25 cm depending on the tree species, humidity, but also the ambient temperature. BC25 consists of two powerful cylinders for best effect when cutting. The knives, which are replaceable, are specially designed for BC25 and are made of high-strength steel.

FARMA's energy cutter is available in sizes 18 and 25. BC25 is designed for the excavator industry and is not adapted for FARMA's grapple loader. BC18 is designed for our grapple loader but is available with an excavator mount.

The cutter is offered with a S30/180, S40/S45 mount. BC25 is available with a replaceable quick-attachment for S40 and S45 mount. BC25 is the size larger compared with BC18. It is designed for assembly with different adapters for small to medium sized excavators.



FARMA SG1000TM

GRAPPLE SKIDDER

FARMA's grapple skidder is a powerful and robust tool for small to medium-sized tractors to bring out timber by skidding it out. It is available in several different models, depending of the required convenience.

You can both drag and lift logs, depending on length and the situation in the forest. The special grapple opens 1 metre and weighs 87 kg, and is made of high-strength steel of the best quality. It is available with manual pull-out or hydraulic telescopic mechanism, so that it can be operated with the tractor's hydraulics. It can also be used in very confined conditions.

The lifter can also be equipped with our RW600 winch to pull material 30 metres away. The winch is operated by remote control, which is included together with the requisite valves for assembly. It is easy to fit, and so if the need arises it can be supplemented later. RW600 pulls 600 kg during normal use.

The support blade can easily be widened if necessary. The grapple skidder is designed to fit tractors with Category 1 and 2 three-point hitches.



FARMA LL1000

LOG LIFTER

FARMA has developed a complete log lifter for different front loaders for tractors, wheel loaders, telescopic loaders and other small machines with standard brackets. With LL1000 you can move logs simply and easily, on the farm, in the forest, in the terminal, or to the circular saw.

All the key parts of the lifter are made of high-strength 650 grade steel to withstand the stress of handling. It opens a maximum of 1000 mm and minimum of 50 mm.

The lifter can also be equipped with our RW600 winch to pull material 30 metres away. The winch is operated by remote control, which is included together with the requisite valves for assembly. It is easy to fit, and so if the need arises it can be supplemented later. RW600 pulls 600 kg during normal use.

The log lifter is available with EURO, Bobcat and TRIMA brackets, which are bolted on and can therefore be replaced with other brackets if necessary.



FARMA FH100

FLAIL HEAD

FARMA FH100 is a flail head adapted for small to medium-sized excavators.

With FARMA FH100 you can easily trim the edges of ditches along roads and fields from grass and scrub.

FARMA FH100 can be equipped with S40 or S45 excavator brackets and is supplied with chain.



TECHNICAL DATA

Max cutting diameter (mm)	1 000
Max oil flow (l/min), rpm	70
	2 000
Stroke volume (cm ³ /rev)	34.2
Weight (kg)	197

Drive on all trailer models

FARMA is offering drive since 2022 as an accessory on all trailer models. Choose between traditional Robson drive 4WD or hub drive from Black Bruin 2WD and 4WD.

ROBSON DRIVE 4WD

A well-tried and reliable solution that increases accessibility in the forest at low speeds. The drive is easily handled with the press of a button from inside the tractor, which is interconnected with the main valve for simple hose routing.

HUB DRIVE BLACK BRUIN

A trailer equipped with hub drive that ensures excellent performance at low speed and which in practice works somewhat faster than traditional Robson drive. With BB the trailer can negotiate the most challenging terrain, and as opposed to Robson drive the trailer has a soft start when the drive is engaged. The drive is operated at the touch of a button inside the tractor and can be controlled so that the speed is adjusted in relation to the tractor. BB is available with 2WD or 4WD.

NOTE!

THE DRIVE MUST BE SPECIFIED WHEN ORDERING AND CANNOT BE RETROFITTED ON THE TRAILER.



* FARMA has changed the colour of our trailers to olive green. The illustration shows the old colour.

ROBSON DRIVE 4WD

HUB DRIVE 2WD/4WD

Matrix | FARMA® – See the differences in our ranges of trailers and cranes.

FARMA Trailer	Hydraulic support legs, carriage	Hydraulic support legs, telescopic	Frame steering	Extension bank	Hydraulic railing	Posts	Extension post	Banks	Intermediate bank	Drum brakes	Hydraulic pump and tank	2 WD	4 WD	Rear light bar, removable	Tail light integrated	Tail light retractable	Post widener	Chain saw holder
T6	S	X	X	0	X	4	0	2	0	0	0	0	0	0	X	0*	X	0
T7	S	X	S	0	X	4	0	2	0	0	0	0	0	0	X	0*	X	0
T8	S	X	S	0	X	6	0	3	0	0	0	0	0	0	X	0*	X	0
T9F	0	S	S	0	X	6	0	3	0	0	0	0	0	0	X	0*	X	0
T10F	0	S	S	0	X	6	0	3	0	0	0	0	0	0	X	0*	X	0
T10 G2	S	X	S	X	X	6	0	3	0	0	0	0	0	X	S	X	0	0
T12 G2	S	X	S	SH	0	6	S4	3	0	0	0	0	0	X	S	X	0	0
T14 G2	S	X	S	SH	S	6	S4	3	0	0	0	0	0	X	S	X	S	0
T17	S	X	S	SH	X	6	0	3	0	0	0	0	0	X	X	0	0	0

S = Standard
O = Optional
X = Not available

H – hydraulic
Number of posts in standard
Number of extension posts
Number of banks in standard
Available for 2 or 4 wheels
*Option that requires extension bank

More information on brakes is available on our home page, www.forsmw.com

Combine your equipment

Trailer	Crane	C 3.8	C 4.2	C 4.6	C 5.0 X-CEL	C 5.1	C 5.3	C 6.3	C 6.7	C 7.2	C 8.0 X-CEL	C 8.5	C 10.2 X-CEL
T6		●	●	●	●								
T7				●	●	●	●						
T8				●	●	●	●	●					
T9F						●	●	●	●				
T10F								●	●				
T10 G2								●	●	●			
T12 G2								●	●	●		●	
T14 G2									●	●	●	●	
T17									●	●	●	●	●

● = Shows which crane models are possible to combine with each trailer model.

Choose the trailer and crane that suits just your requirements.

FARMA Crane	Crane telescope	Turning cylinders	VALVE SELECTION										Damper	Crane lighting LED	GRAPPLES				ROTATORS				Hydraulic radio controlled wind
			Mechanical Multi-lever	Mechanical 2-lever XY	Mechanical 2-lever XYZ	2-lever electrical on off lightweight	Hydr. Servo	Electrical proportional	Electrical proportional with flow sharing	Touch screen up-grading to electrical proportional	Radio control upgrading to electrical proportional	0.12			0.16	0.20	0.24	3 tonnes 49 mm axle	4 tonnes 59 mm axle/flange connection	5.5 tonnes flange connection	6 tonnes flange connection		
C 3.8 G2	X	4	0	0	0	0	0	0	0	0	0	0	0	0	0	X	X	0	X	X	X	0 ¹	
C 4.2 G2	S	4	0	0	0	0	0	0	0	0	0	0	0	0	0	X	X	0	X	X	X	0 ¹	
C 4.6 S G2	X	2	0	0	0	0	0	0	0	0	0	0	0	0	0	X	0	0	X	X	X	0 ²	
C 4.6 D G2	X	4	0	0	0	0	0	0	0	0	0	0	0	0	0	X	0	0	X	X	X	0 ²	
C 5.0 X-CEL	S	4	0	0	0	0	0	0	0	0	0	0	0	0	0	X	0	0	X	X	X	0 ²	
C 5.1	S	4	0	0	0	0	0	0	0	0	0	0	0	0	0	X	0	0	X	X	X	0 ²	
C 5.3 G2	X	4	0	0	0	0	0	0	0	0	0	0	0	0	0	X	0	0	X	X	X	0 ²	
C 6.3 G2	S	4	0	0	0	0	0	0	0	0	0	0	0	0	0	X	0	0	X	X	X	0 ²	
C 6.7 G3	S	4	0	0	0	0	0	0	0	0	0	0	0	0	0	X	0	0	X	X	X	0 ²	
C 7.2 G2	S	4	0	0	0	0	0	0	0	0	0	0	0	0	0	X	X	0	X	X	X	0 ²	
C 8.0 X-CEL	S	4	0	0	0	0	0	0	0	0	0	0	0	0	0	X	X	0	0	0	0	0 ²	
C 8.5 G2	S	4	X	0	0	0	0	0	0	0	0	0	0	0	0	X	X	0	X	X	X	0 ²	
C 10.2 X-CEL	S	4	X	0	0	0	0	0	0	0	0	0	0	0	0	X	X	0	0	0	0	0 ²	

S = Standard
O = Optional
L = Loose crane
X = Not available

The number indicates the number of cylinders

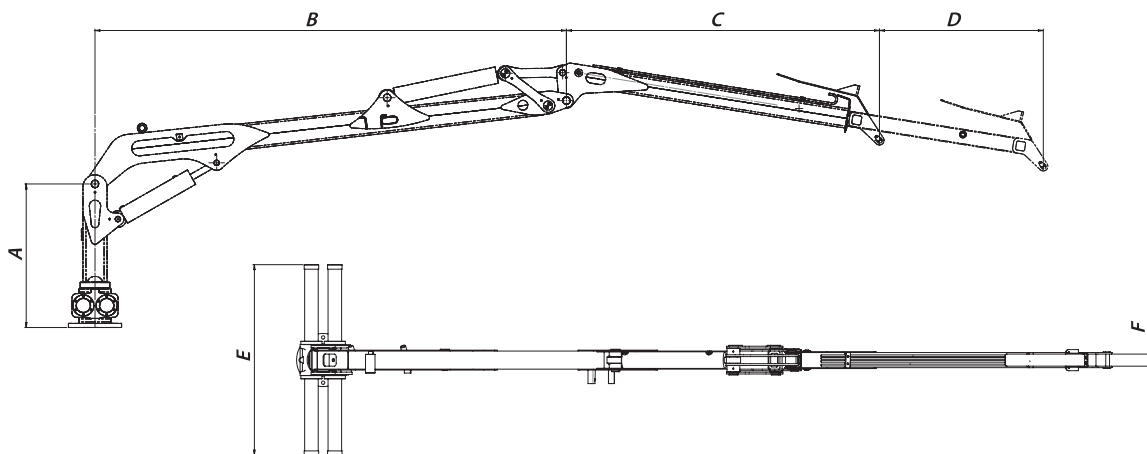
For slewing, lifting and lowering
2 pcs
Weight 52 kg
Weight 77 kg
Weight 116 kg
Weight 145 kg
Weight 16 kg
Weight 21/28 kg
Weight 35 kg
Weight 48 kg
1 RW600
2 RW1300

The matrixes on this page refer to complete trailers (lumber trailer with crane). For information about accessories for separate trailers and cranes, see www.forsmw.com.

If you are missing any information in the matrixes, see www.forsmw.com or contact your dealer.

We reserve the right to revise specifications without prior notice.

Cranes main dimensions | FARMA®



Model	A mm	B mm	C mm	D mm	E mm	F mm
C3.8 G2	955	2 200	1 645	-	1 010	50
C4.2 G2	955	2 200	1 410	600	1 010	50
C4.6 G2	945	2 845	1 770	-	1 270	50
C5.0 X-CEL	1 100	2 300	1 600	1 100	1 270	60
C5.1	945	2 960	2 110	-	1 270	50
C5.3 G2	945	3 170	2 090	-	1 270	60
C6.3 G2	945	3 170	1 990	1 100	1 270	60
C6.7 G3	1 445	3 270	2 005	1 450	1 270	80
C7.2 G2	1 595	3 365	2 395	1 450	1 465	60
C8.0 X-CEL	1 810	3 620	2 455	1 970	1 465	80
C8.5 G2	1 595	3 365	2 300	2 900	1 465	60
C10.2 X-CEL	1 810	3 620	2 700	3 930	1 465	80

All dimensions in the figures are in mm.

For additional information on crane sizes, movement patterns and specifications, please refer to the matrixes and technical data in this brochure and to www.forsmw.com where detailed information is available.

Cranes technical data | FARMA®

Model	Lifting torque gross kNm	Lifting capacity kg/max reach**	Slewing torque kNm	Slewing angle degrees	Reach m	Telescopic stroke length m	Recommended flow l/min	Working pressure bar	Weight of crane, kg	Weight, kg including 0.12 grapple*	Weight, kg including 0.16 grapple*	Weight, kg including 0.20 grapple*	Weight, kg including 0.24 grapple*
C3.8 G2	24	530	5	370	3.8	X	10-35	190	280	350	375	X	X
C4.2 G2	24	480	5	370	4.2	0.6	10-35	190	300	370	395	X	X
C4.6S G2	31	610	5	360	4.6	X	20-50	190	390	460	485	525	X
C4.6D G2	31	610	10	360	4.6	X	20-50	190	420	490	515	555	X
C5.0 X-CEL	34	560	10	360	5.0	1.1	20-50	190	495	565	590	630	X
C5.1	31	490	8.8	360	5.1	X	20-50	190	465	535	560	600	X
C5.3 G2	39	615	10	360	5.3	X	20-50	190	485	555	580	620	X
C6.3 G2	39	500	10	360	6.3	1.1	20-50	190	535	X	630	670	X
C6.7 G3	42	490	10	360	6.7	1.45	20-50	190	625	X	720	760	X
C7.2 G2	62	700	16	380	7.2	1.4	40-70	190	810	X	X	950	985
C8.0 X-CEL	84	790	24	366	8.0	1.97	50-120	210	1100	X	X	1 285	1 320
C8.5 G2	62	520	16	380	8.5	2.9	40-70	190	850	X	X	990	1 025
C10.2 X-CEL	84	500	24	366	10.2	3.93	50-120	210	1 200	X	X	1 405	1 440

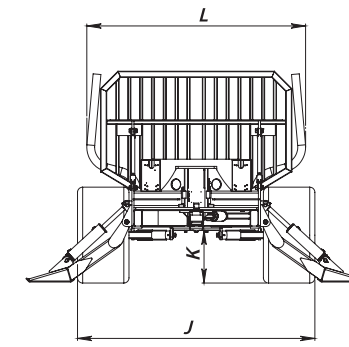
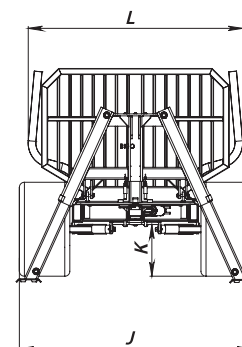
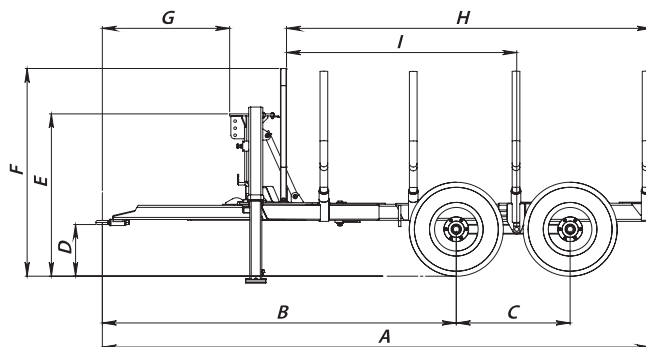
* The weights include grapple, rotator and link.

** The lifting capacity excludes grapple, rotator and link.
The figures can be rounded off to the nearest whole number.

Dimensional diagrams

FARMA®

Classic trailers

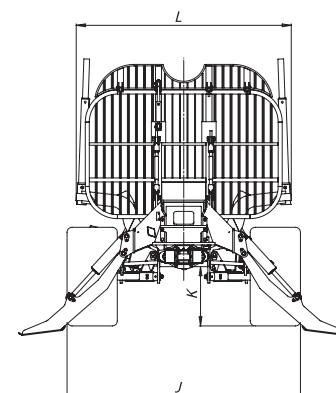
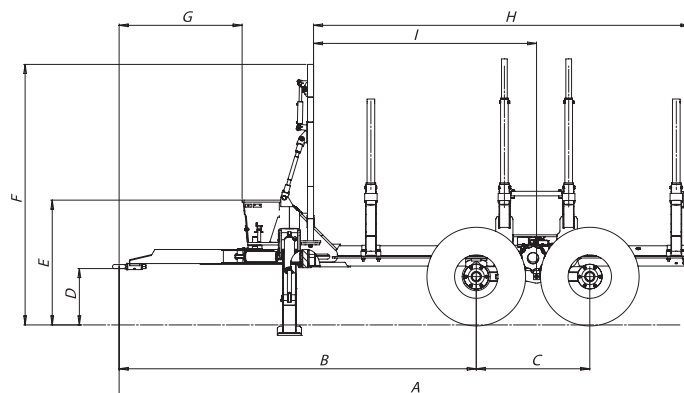


Model	A mm	B mm	C mm	D mm	E mm	F mm	G mm	H mm	I mm	J mm	K Ground clearance, mm	L mm	Total weight, kg	Load area, m ²	Wheel dimensions	Weight of standard trailer, kg	Steering angle, frame steering, degrees
T6	4 390	2 800*	945	450	990	1 630	1 110	2 825	1 745*	1 800	475	1 800	6 000	1.40	11,5/80-15.3	720	X
T7	5 410	3 860*	990	525	1 165	2 040	1 310	3 455	2 550*	1 935	520	1 870	7 000	1.95	11,5/80-15.3	1 110	40
T7S	5 410	3 860*	990	535	1 165	2 050	1 310	3 455	2 550*	2 070	520	1 870	7 000	1.95	400/60-15.5	1 180	40
T8	5 410	3 860*	990	535	1 175	2 050	1 310	3 455	2 550*	2 070	520	1 870	8 000	1.95	400/60-15.5	1 310	40
T9F	5 425	3 880	990	520	1 140	2 160	1 210	3 555	2 345*	2 135	500	1 970	9 000	2.10	400/60-15.5	1 600	48
T10F	5 425-6 025*	3 500*	1 130	515	1 135	2 155	1 210	3 555	2 230*	2 300	500	2 125	10 000	2.20	500/50-17	1 700	48

Double frame trailer

Model	A mm	B mm	C mm	D mm	E mm	F mm	G mm	H mm	I mm	J mm	K Ground clearance, mm	L mm	Total weight, kg	Load area, m ²	Wheel dimensions	Weight of standard trailer, kg	Steering angle, frame steering, degrees
T17	7 165-7 865	4 255-4 955	1 375	510	1 485	2 900	1 485	4 735-5 435	2 545-3 245	2 530	675	2 460	17 000	3.2	600/50 R22.5	3 300	40

* Adjustable dimensions.



We reserve the right to revise specifications without prior notice. The figures for the dimensions are only illustrative.

FARMA®

G2 trailers

Model	A mm	B mm	C mm	D mm	E mm	F mm	G mm	H mm	I mm	J mm	K Ground clearance, mm	L mm	Total weight, kg	Load area, m ²	Wheel dimensions	Weight of standard trailer, kg	Steering angle, frame steering, degrees
T10 G2	5 680	3 655-4 110*	1 130	515	1 195	2 290	1 225	3 745	2 320-2 775*	2 325	505	2 140	10 000	2.30	500/50-17	1 935	52
T12 G2	5 935-6 610*	3 655-4 110*	1 130	545	1 225	2 320	1 225	4 000-4 675*	2 320-2 775*	2 325	550	2 140	12 000	2.30	500/45-22.5 Trac	2 025	52
T14 G2	5 960-6 635	3 450-3 905	1 285	660	1 355	2 705	1 250	4 000-4 675	2 165-2 620*	2 535	665	2 140	14 000	2.80	600/50, 22.5 Trac	2 800	52

* Adjustable dimensions.

FARMA®

Dealer:

